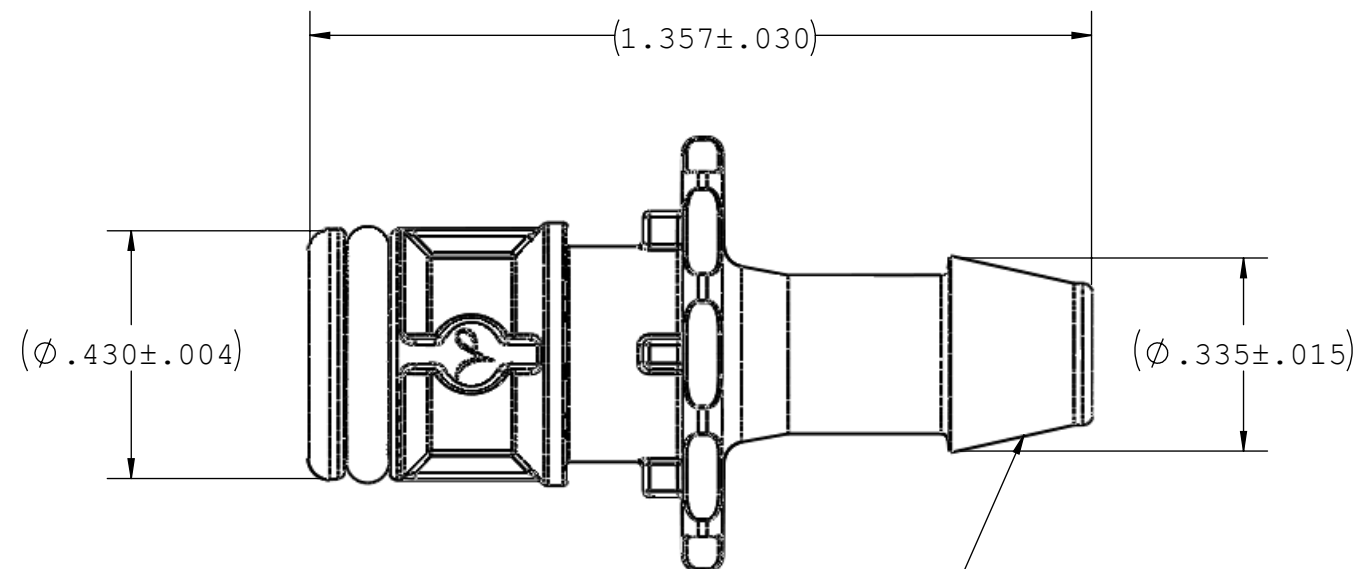
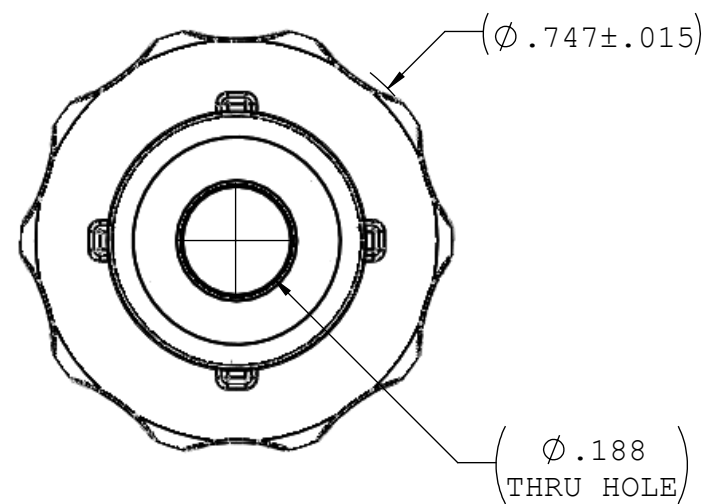
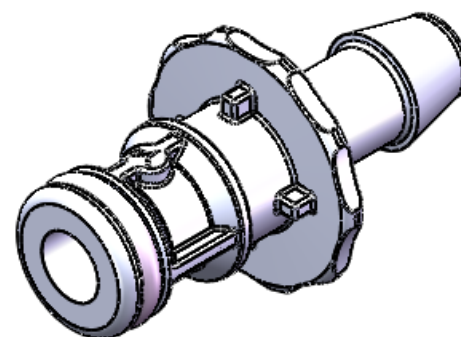


NOTES: FOR MORE DETAILS SEE YOUR V.P. SERVICE REP.

REVISIONS			
REV.	DESCRIPTION	DATE	APPROVED
A	INITIAL RELEASE	01-22-14	S.N.R



INSTRUMENT QUALITY PART. NO PARTING LINE PERMITTED ON THIS CONICAL SURFACE



UNLESS OTHERWISE SPECIFIED DIMENSIONS ARE IN INCHES TOLERANCES ARE:		VALUE PLASTICS, INC			
FRACTIONS	DECIMAL				
± .XX	± .01	± 1°	DESCRIPTION:	RQC Series Male Open Flow Connector, 600 Series Barb, 1/4" (6.5 mm) ID Tubing	
± .XXX	± .005		DRAWN BY:	Frank.Lombardi	
± .XXXX	± .001		DATE:	1/22/2014	
DO NOT SCALE DRAWING			SIZE:	B	
			SCALE:	NTS	
			VER:		
			DWG. NO.:	1027982	
			REV:	A	
MANAGER:				© 2013 VALUE PLASTICS, INC	SHEET: 1 OF 1
Ravi Narayanan					

FOR REFERENCE ONLY